

- NOTES:
- A. FOR REFERENCE ONLY UNLESS PROPERLY ENDORSED. FOR ADDITIONAL DETAILS AND SPECIFICATIONS, CONSULT FACTORY.
 - B. DIMENSIONS ARE IN INCHES [MILLIMETERS].
 - C. HATCHED AREA INDICATES PERMISSIBLE CONDUIT ENTRANCE AREA.
 - D. FANS, FILTERS, LEG STANDS OR CLOSING PLATES ARE SUPPLIED WHEN OPTION MIX NECESSITATES.
 - E. USE APPROPRIATE TYPE RATED HUBS OR FITTINGS TO MAINTAIN ENCLOSURE RATING.

david_dahlman Tuesday, May 10, 2016 8:42:07 AM

YASKAWA

DRAWN: D. Packer
CHECKED: D. Cmelak
TECH:
APPROVED: K. Flierl
ORIGINAL DESIGN: D. Packer

DATE: 07/01/2012
DATE: 07/01/2012
DATE: 07/01/2012
DATE: 07/01/2012

TITLE: DIMENSION DRAWING A & P 1000, TYPE 3R,W3

MATERIAL# ---

SIZE	REVISION	PAGE
A	03	1 OF 2

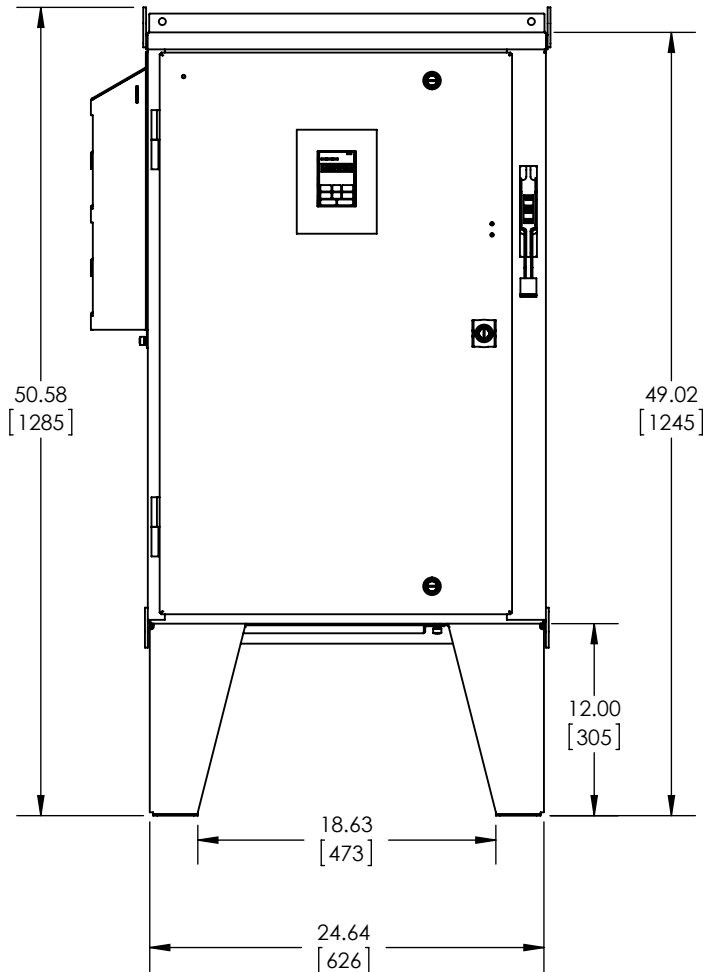
DRAWING #: DD.AP1.3R.W3.01

REVISIONS

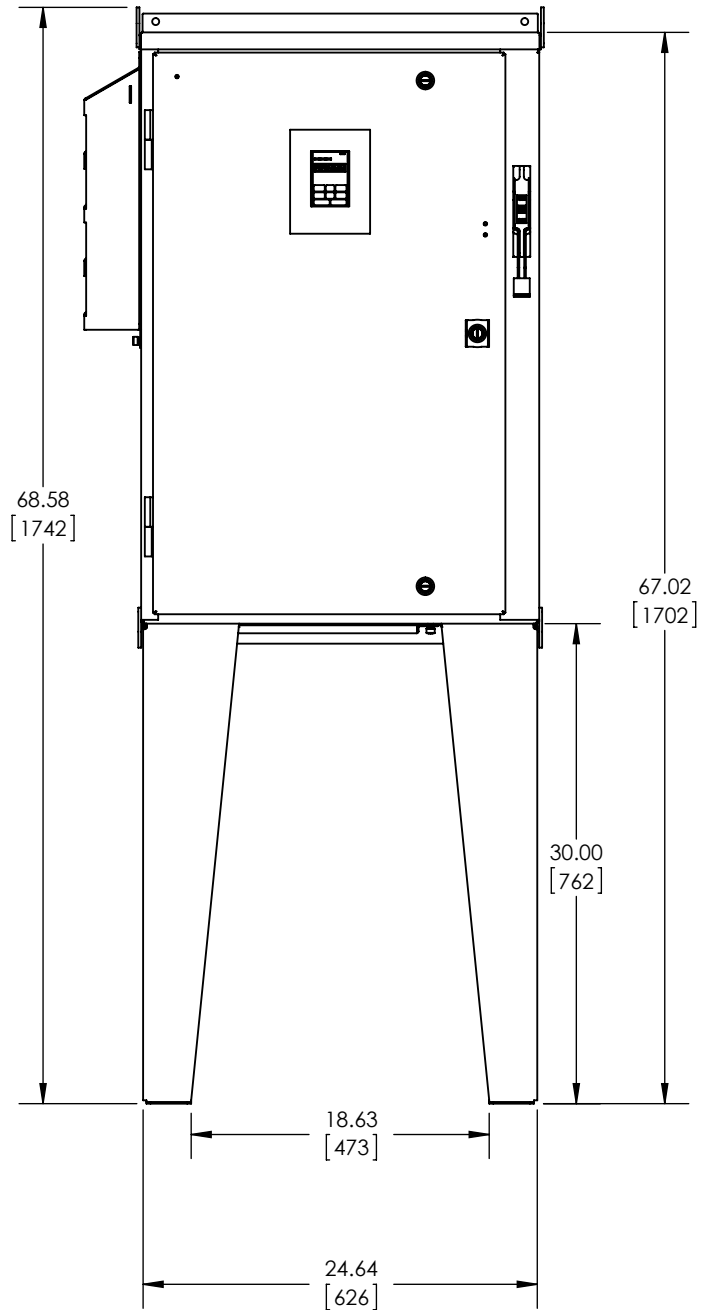
REV.	DESCRIPTION	ECO #	DRAWN BY	DATE
03	DIMENSIONS CORRECTED.	6641	DSD	5/10/2016
02	ADDED NEW LEG DETAILS.	4493	JDE	9/13/13
01	CHANGED NOTE D. ADDED LEG DETAILS AND DIMENSIONS FOR BOTTOM LIFT TABS.	4098	JDE	4/9/13

THIS DOCUMENT AND INFORMATION CONTAINED IN IT ARE CONFIDENTIAL, AND CANNOT BE COPIED OR DISCLOSED IN WHOLE OR IN PART WITHOUT THE EXPRESS WRITTEN CONSENT OF YASKAWA AMERICA INC.

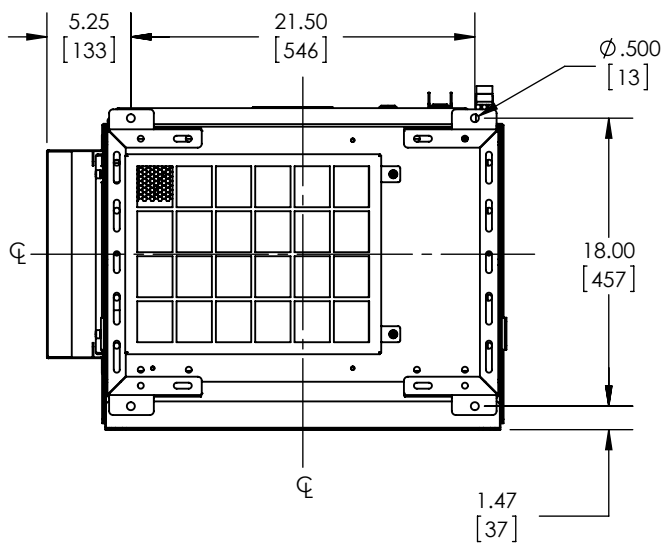
LEG STAND MOUNTING OPTION DIMENSIONS



12.0" HIGH LEGS




30.0" HIGH LEGS



NOTE: DRILL PATTERN SAME FOR 12" AND 30" HIGH LEGS

david_dahlman Tuesday, May 10, 2016 8:42:07 AM

 <p><i>THIS DOCUMENT AND INFORMATION CONTAINED IN IT ARE CONFIDENTIAL, AND CANNOT BE COPIED OR DISCLOSED IN WHOLE OR IN PART WITHOUT THE EXPRESS WRITTEN CONSENT OF YASKAWA AMERICA INC.</i></p>	DRAWN: D. Packer	DATE 07/01/2012	TITLE: DIMENSION DRAWING A & P 1000, TYPE 3R.W3		
	CHECKED: D. Cmelak	DATE 07/01/2012	MATERIAL# ---		
	APPROVED: K. Flierl	DATE 07/01/2012	SIZE A	REVISION 03	PAGE 2 OF 2
	ORIGINAL DESIGN: D. Packer	DATE 07/01/2012	DRAWING #: DD.AP1.3R.W3.01		